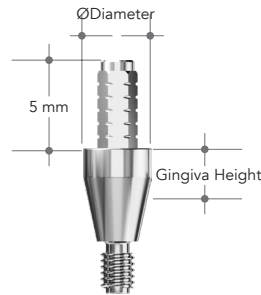


# TEMPORARY ABUTMENTS

## Immediate Temporary Abutment

is a good option when immediate provisionalization is required. Its sleek post design allows the dentist finish the case chairside within minutes.

*Chairside*



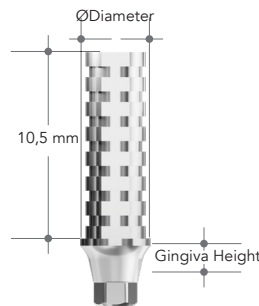
Profile D.	Gingiva Height	Post Height	Ref. Code
3.5	1.5	5	270115N
	3.0		270130N

Profile D.	Gingiva Height	Post Height	Ref. Code
3.9	1.5	5	270115R
	3.0		270130R

## Temporary Abutment (engaging)

is used for single-tooth immediate provisionalization. Deep and sharp grooves provide strong retention.

*Chairside/Dental Lab*



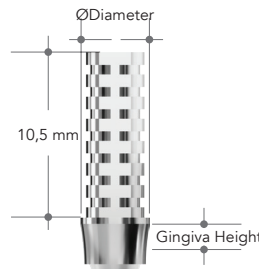
Profile D.	Gingiva Height	Post Height	Ref. Code
4	1.5	5	270215N

Profile D.	Gingiva Height	Post Height	Ref. Code
4.5	1.5	5	270215R
	3.0		270230R

## Temporary Abutment (non-engaging)

is used for multiple-tooth immediate provisionalization. Deep and sharp grooves provide strong retention.

*Chairside/Dental Lab*



Profile D.	Gingiva Height	Post Height	Ref. Code
4	1.5	5	270315N
	3.0		270330N

Profile D.	Gingiva Height	Post Height	Ref. Code
4.5	1.5	5	270315R
	3.0		270330R

# DUAL ABUTMENT

Dual Abutment is used for both single and multiple unit restorations.

*Dental Lab*



Profile D.	Gingiva Height	Post Height	Ref. Code
4.5	1.5	6	224515N
	3.0		224530N
	4.5		224545N

Profile D.	Gingiva Height	Post Height	Ref. Code
4.5	1.5	6	224515R
	3.0		224530R
	4.5		224545R

Profile D.	Gingiva Height	Post Height	Ref. Code
5.5	1.5	6	225515R
	3.0		225530R
	4.5		225545R

# ESTHETIC ABUTMENTS

## ESTHETIC Abutment

ESTHETIC abutments mimic the anatomic contour of natural gum allowing dentists and technicians to obtain more esthetic results.



## Angled ESTHETIC Abutment

Angled ESTHETICS abutments mimic the anatomic contour of natural gum allowing dentists and technicians to obtain more esthetic results.



Optimal **anatomic** shape of  
natural **gum line** and  
**esthetic** results...

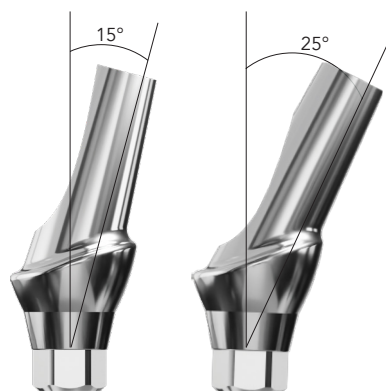
## ESTHETIC Abutment



NP	Profile D.	Gingiva Height	Post Height	Ref. Code
 25 NCM	4.5	1.5	5	230015N
		3.0		230030N
		4.5		230045N

RP	Profile D.	Gingiva Height	Post Height	Ref. Code
 35 NCM	4.5	1.5	5	230015R
		3.0		230030R
		4.5		230045R
	5.5	1.5	5	230115R
		3.0		230130R
		4.5		230145R

## Angled ESTHETIC Abutment



NP	Angle	Gingiva Height	Post Height	Ref. Code
 25 NCM	15°	1.5	5	231515N
		3.0		231530N
		4.5		231545N
	25°	1.5	5	232515N
		3.0		232530N
		4.5		232545N

RP	Angle	Gingiva Height	Post Height	Ref. Code
 35 NCM	15°	1.5	5	231515R
		3.0		231530R
		4.5		231545R
	25°	1.5	5	232515R
		3.0		232530R
		4.5		232545R